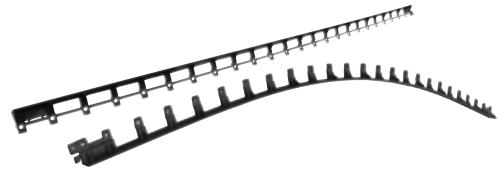




GATOR EDGE RIGID & FLEX
TDS Revision Date (dd/mm/yyyy): 01/03/2022



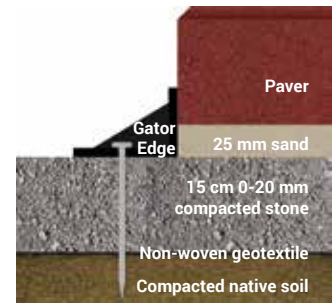
TECHNICAL DATA SHEET



Update: March 1, 2022
Make sure you have an updated data sheet on hand.

Description: **Gator Edge Rigid & Flex** are made with 100% Polypropylene Co-Polymer. This will give it great strength as well as provide great flexibility. We have a Rigid model which is ideal for straight applications and the Flex model that can be used for all curved applications such as walkways, paths, entrances etc. Both the **Rigid and Flex** can be locked together with the "Twist & Lock" system. Finally the Rigid could be transform in a partial Flex by cutting the bridge support between each triangular angles.

- Features:**
- The Flex can connect to the Rigid.
 - Use a "Twist & Lock" connection system.
 - Will not corrode.
 - Easy-to-use.
 - Available in flexible or rigid edges.
 - Xtra versatile.
 - Xtra robust system.
 - Xtra support strength.
 - UV resistant.
 - Comes in 2.44 m lengths.
 - Use with Gator Nails.



For use on: **GATOR EDGE** is an excellent choice to help define alleys, driveways or sidewalks. **GATOR EDGE** is designed for straight or curved installation. It is especially easy to use and quick to install.

INSTALLATION INSTRUCTIONS:

1. It can be installed either before or after the paver installation.
2. Use one 25 cm nail every second hole and at every Twist & Lock junction, this will ensure continuous lateral support. Make sure edges are installed on a compacted structural aggregate base.
3. Use the Twist & Lock feature to secure the edging lengths together.

Packaging:

Product

- Gator Edge Flex**
- 1 piece = 2.44 m
 - 1 Mini-pack = 6 pieces = 14.65 m
 - 1 Master-pack = 4 Mini-packs = 58.5 m
 - 1 pallet = 28 Master-packs = 1639 m
- Gator Edge Rigid**
- 1 piece = 2.44 m
 - 1 Mini-pack = 6 pieces = 14.65 m
 - 1 Master-pack = 4 Mini-packs = 58.5 m
 - 1 pallet = 28 Master-packs = 1639 m

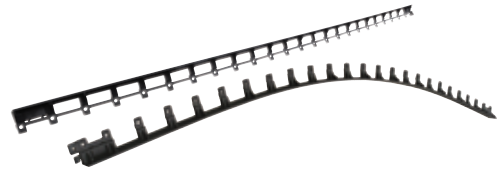


Alliance Designer Products Inc.
1800 Berlier st., suite 200, Laval, Quebec, Canada H7L 4S4
Tel.: 450 624-1611 Fax : 450 624-1622 Toll free : 1 866-212-1611
www.alliancegator.com - Email : info@alliancegator.com

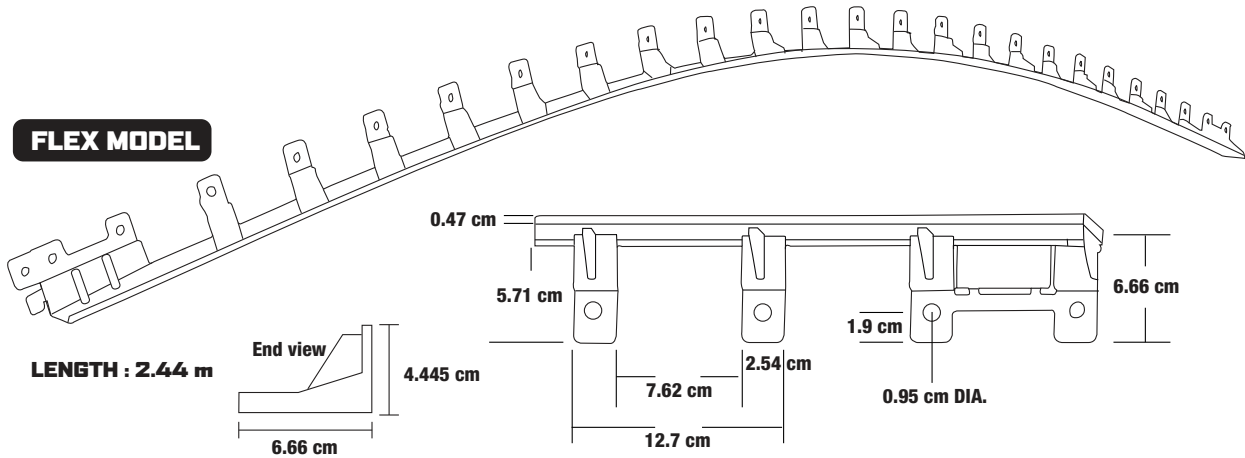


GATOR EDGE RIGID & FLEX

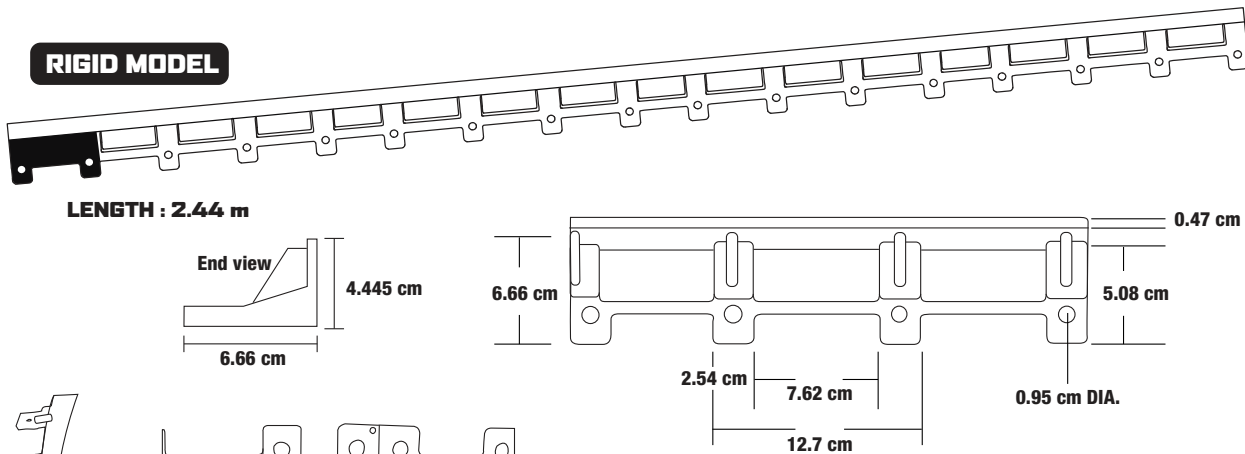
TDS Revision Date (dd/mm/yyyy): 01/03/2022



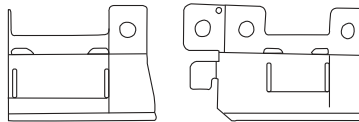
FLEX MODEL



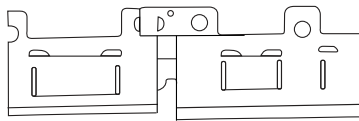
RIGID MODEL



MALE-FEMALE



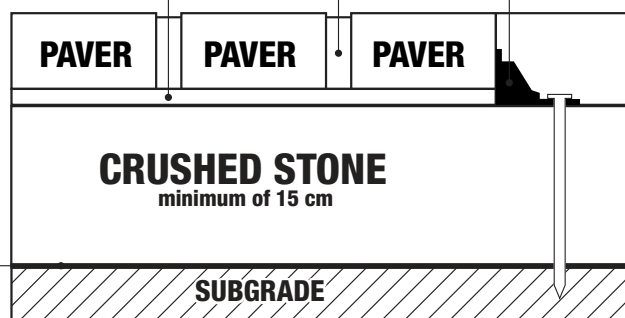
TWIST-N-LOCK



BEDDING SAND
maximum of 2.5 cm

POLYMERIC SAND

- Gator Edge is:
- Height 4.45 cm
 - Width 6.66 cm
 - Length 2.44 m



GATOR EDGE FLEX CAN CONNECT TO GATOR EDGE RIGID

